

PVDF diaphragm valve, with ANSI* flanges

Popis

* DIN = EN1092-1 PN10/16 ANSI = ASME B16.5 Class 150 2300 becomes 2307 when fitted with a double acting pneumatic actuator 2300 becomes 2308 when fitted with failsafe open (NO) pneumatic actuator 2300 becomes 2309 when fitted with failsafe closed (NC) pneumatic actuator

EPDM

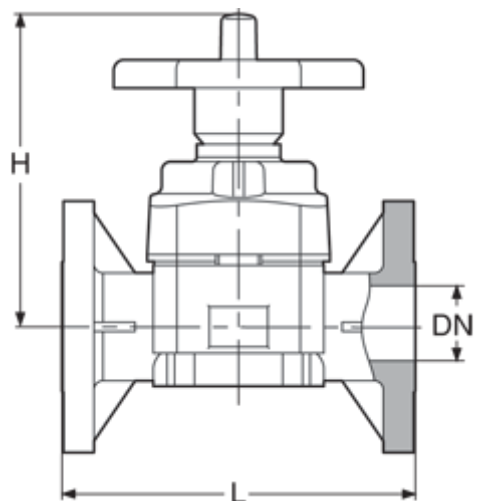
| # | d (mm) | DN (mm) | DN (inch) | L (mm) | H (mm) | PN (bar) |
|---|-----------|------------|--------------|-----------|-----------|-------------|
| 1 | 20 | 15 | 1/2" | 130 | 133 | 10 |
| 2 | 25 | 20 | 3/4" | 150 | 133 | 10 |
| 3 | 32 | 25 | 1" | 160 | 133 | 10 |
| 4 | 40 | 32 | 1"1/4 | 180 | 167 | 10 |
| 5 | 50 | 40 | 1"1/2 | 200 | 167 | 10 |
| 6 | 63 | 50 | 2" | 230 | 205 | 10 |

FPM

| # | d (mm) | DN (mm) | DN (inch) | L (mm) | H (mm) | PN (bar) |
|---|-----------|------------|--------------|-----------|-----------|-------------|
| 1 | 20 | 15 | 1/2" | 130 | 133 | 10 |
| 2 | 25 | 20 | 3/4" | 150 | 133 | 10 |
| 3 | 32 | 25 | 1" | 160 | 133 | 10 |
| 4 | 40 | 32 | 1"1/4 | 180 | 167 | 10 |
| 5 | 50 | 40 | 1"1/2 | 200 | 167 | 10 |
| 6 | 63 | 50 | 2" | 230 | 205 | 10 |

PTFE

| # | d (mm) | DN (mm) | DN (inch) | L (mm) | H (mm) | PN (bar) |
|---|-----------|------------|--------------|-----------|-----------|-------------|
| 1 | 20 | 15 | 1/2" | 130 | 133 | 10 |
| 2 | 25 | 20 | 3/4" | 150 | 133 | 10 |
| 3 | 32 | 25 | 1" | 160 | 133 | 10 |
| 4 | 40 | 32 | 1"1/4 | 180 | 167 | 10 |
| 5 | 50 | 40 | 1"1/2 | 200 | 167 | 10 |
| 6 | 63 | 50 | 2" | 230 | 205 | 10 |



Technické údaje o produktech nejsou závazné. Konstrukční a rozměrové změny vyhrazeny.
Přeloženo z originálu výrobce.

Farprosys, s.r.o.
email: info@farprosys.com
tel. +420 728 757 770
www.atexventilatory.cz