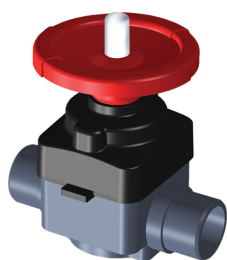


PVC-U diaphragm valve, PVC-U metric spigot outlets



Popis

2300 becomes 2307 when fitted with a double acting pneumatic actuator 2300 becomes 2308 when fitted with failsafe open (NO) pneumatic actuator 2300 becomes 2309 when fitted with failsafe closed (NC) pneumatic actuator

EPDM

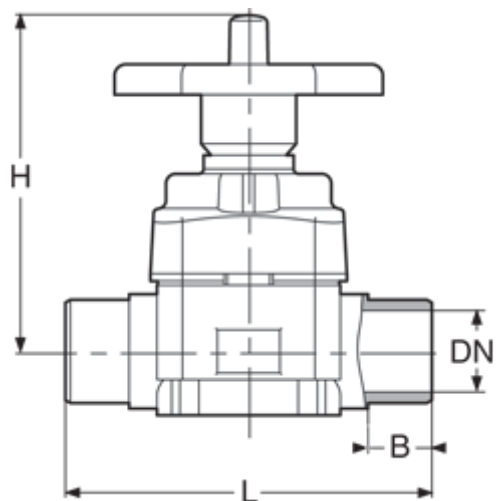
#	d (mm)	DN (mm)	DN (inch)	L (mm)	H (mm)	B (mm)	PN (bar)
1	20	15	1/2"	124	133	17	10
2	25	20	3/4"	144	133	19.5	10
3	32	25	1"	154	133	23.5	10
4	40	32	1"1/4	174	167	27	10
5	50	40	1"1/2	194	167	32	10
6	63	50	2"	224	205	39	10

FPM

#	d (mm)	DN (mm)	DN (inch)	L (mm)	H (mm)	B (mm)	PN (bar)
1	20	15	1/2"	124	133	17	10
2	25	20	3/4"	144	133	19.5	10
3	32	25	1"	154	133	23.5	10
4	40	32	1"1/4	174	167	27	10
5	50	40	1"1/2	194	167	32	10
6	63	50	2"	224	205	39	10

PTFE

#	d (mm)	DN (mm)	DN (inch)	L (mm)	H (mm)	B (mm)	PN (bar)
1	20	15	1/2"	124	133	17	10
2	25	20	3/4"	144	133	19.5	10
3	32	25	1"	154	133	23.5	10
4	40	32	1"1/4	174	167	27	10
5	50	40	1"1/2	194	167	32	10
6	63	50	2"	224	205	39	10



Technické údaje o produktech nejsou závazné. Konstrukční a rozměrové změny vyhrazeny.
Přeloženo z originálu výrobce.

Farprosys, s.r.o.
email: info@farprosys.com
tel. +420 728 757 770
www.atexventilatory.cz