

PVC-U diaphragm valve, double union, PVC-U metric sockets, equipped with failsafe normally closed (NC) pneumatic actuator

EPDM

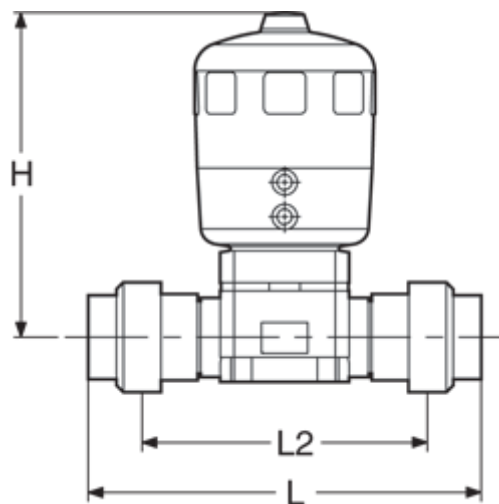
#	d (mm)	DN (mm)	DN (inch)	L (mm)	L2 (mm)	H (mm)	PN (bar)
1	20	15	1/2"	184	142	174	10
2	25	20	3/4"	209	159.5	174	10
3	32	25	1"	225	172	174	10
4	40	32	1"1/4	259	197	236	10
5	50	40	1"1/2	291	216	236	10
6	63	50	2"	342	254	283	10

FPM

#	d (mm)	DN (mm)	DN (inch)	L (mm)	L2 (mm)	H (mm)	PN (bar)
1	20	15	1/2"	184	142	174	10
2	25	20	3/4"	209	159.5	174	10
3	32	25	1"	225	172	174	10
4	40	32	1"1/4	259	197	236	10
5	50	40	1"1/2	291	216	236	10
6	63	50	2"	342	254	283	10

PTFE

#	d (mm)	DN (mm)	DN (inch)	L (mm)	L2 (mm)	H (mm)	PN (bar)
1	20	15	1/2"	184	142	174	10
2	25	20	3/4"	209	159.5	174	10
3	32	25	1"	225	172	174	10
4	40	32	1"1/4	259	197	236	10
5	50	40	1"1/2	291	216	236	10
6	63	50	2"	342	254	283	10



Technické údaje o produktech nejsou závazné. Konstrukční a rozměrové změny vyhrazeny.
Přeloženo z originálu výrobce.

Farprosys, s.r.o.
email: info@farprosys.com
tel. +420 728 757 770
www.atexventilatory.cz