

PVC-U Ball check valve, double union, PVC-U BSP threaded sockets

Popis

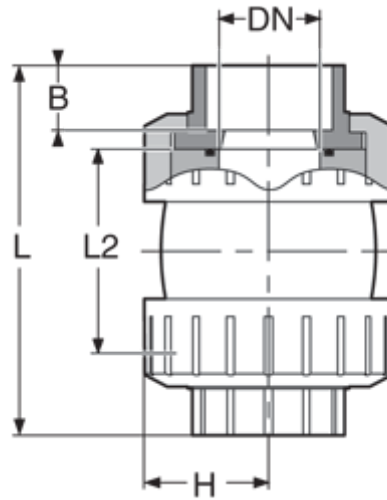
Vertical fitting only

EPDM

| # | d (mm) | DN (mm) | DN (inch) | L (mm) | L2 (mm) | H (mm) | C (mm) | PN (bar) |
|---|-----------|------------|--------------|-----------|------------|-----------|-----------|-------------|
| 1 | 20 | 15 | 1/2" | 105 | 53 | 27 | 22.5 | 10 |
| 2 | 25 | 20 | 3/4" | 119 | 60.5 | 32 | 25.5 | 10 |
| 3 | 32 | 25 | 1" | 136 | 68 | 36.5 | 29 | 10 |
| 4 | 40 | 32 | 1"1/4 | 176 | 85 | 49 | 35 | 10 |
| 5 | 50 | 40 | 1"1/2 | 176 | 85 | 49 | 36 | 10 |
| 6 | 63 | 50 | 2" | 196 | 106 | 60.5 | 38 | 10 |
| 7 | 75 | 65 | 2"1/2 | 222 | 108 | 75 | 45 | 7 |
| 8 | 90 | 80 | 3" | 274 | 147 | 92 | 48.5 | 7 |
| 9 | 110 | 100 | 4" | 362 | 211 | 99.5 | 53.5 | 7 |

FPM

| # | d (mm) | DN (mm) | DN (inch) | L (mm) | L2 (mm) | H (mm) | C (mm) | PN (bar) |
|---|-----------|------------|--------------|-----------|------------|-----------|-----------|-------------|
| 1 | 20 | 15 | 1/2" | 105 | 53 | 27 | 22.5 | 10 |
| 2 | 25 | 20 | 3/4" | 119 | 60.5 | 32 | 25.5 | 10 |
| 3 | 32 | 25 | 1" | 136 | 68 | 36.5 | 29 | 10 |
| 4 | 40 | 32 | 1"1/4 | 176 | 85 | 49 | 35 | 10 |
| 5 | 50 | 40 | 1"1/2 | 176 | 85 | 49 | 36 | 10 |
| 6 | 63 | 50 | 2" | 196 | 106 | 60.5 | 38 | 10 |
| 7 | 75 | 65 | 2"1/2 | 222 | 108 | 75 | 45 | 7 |
| 8 | 90 | 80 | 3" | 274 | 147 | 92 | 48.5 | 7 |
| 9 | 110 | 100 | 4" | 362 | 211 | 99.5 | 53.5 | 7 |



Technické údaje o produktech nejsou závazné. Konstrukční a rozměrové změny vyhrazeny.
Přeloženo z originálu výrobce.

Farprosys, s.r.o.
email: info@farprosys.com
tel. +420 728 757 770
www.atexventilatory.cz