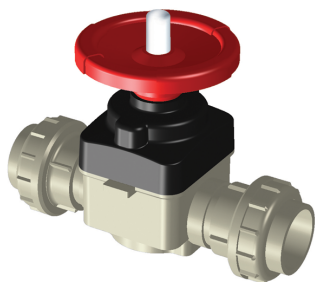


## PP-H diaphragm valve, double union, PP-H metric sockets



### Popis

2300 becomes 2307 when fitted with a double acting pneumatic actuator 2300 becomes 2308 when fitted with failsafe open (NO) pneumatic actuator 2300 becomes 2309 when fitted with failsafe closed (NC) pneumatic actuator

### EPDM

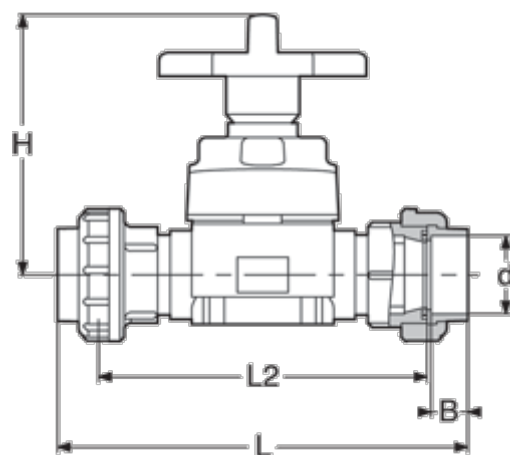
#	d (mm)	DN (mm)	DN (inch)	L (mm)	L2 (mm)	H (mm)	B (mm)	PN (bar)
1	20	15	1/2"	194.5	151.5	133	16	10
2	25	20	3/4"	216.5	169.5	133	18	10
3	32	25	1"	232.5	182	133	20	10
4	40	32	1"1/4	262	205.5	167	22	10
5	50	40	1"1/2	291	227	167	25.5	10
6	63	50	2"	326.5	256	205	29	10

### FPM

#	d (mm)	DN (mm)	DN (inch)	L (mm)	L2 (mm)	H (mm)	B (mm)	PN (bar)
1	20	15	1/2"	194.5	151.5	133	16	10
2	25	20	3/4"	216.5	169.5	133	18	10
3	32	25	1"	232.5	182	133	20	10
4	40	32	1"1/4	262	205.5	167	22	10
5	50	40	1"1/2	291	227	167	25.5	10
6	63	50	2"	326.5	256	205	29	10

### PTFE

#	d (mm)	DN (mm)	DN (inch)	L (mm)	L2 (mm)	H (mm)	B (mm)	PN (bar)
1	20	15	1/2"	194.5	151.5	133	16	10
2	25	20	3/4"	216.5	169.5	133	18	10
3	32	25	1"	232.5	182	133	20	10
4	40	32	1"1/4	262	205.5	167	22	10
5	50	40	1"1/2	291	227	167	25.5	10
6	63	50	2"	326.5	256	205	29	10



---

Technické údaje o produktech nejsou závazné. Konstrukční a rozměrové změny vyhrazeny.  
Přeloženo z originálu výrobce.

Farprosys, s.r.o.  
email: [info@farprosys.com](mailto:info@farprosys.com)  
tel. +420 728 757 770  
[www.atexventilatory.cz](http://www.atexventilatory.cz)