

PP-H diaphragm valve, with DIN* flanges

Popis

* DIN = EN1092-1 PN10/16 ANSI = ASME B16.5 Class 150 2300 becomes 2307 when fitted with a double acting pneumatic actuator 2300 becomes 2308 when fitted with failsafe open (NO) pneumatic actuator 2300 becomes 2309 when fitted with failsafe closed (NC) pneumatic actuator

EPDM

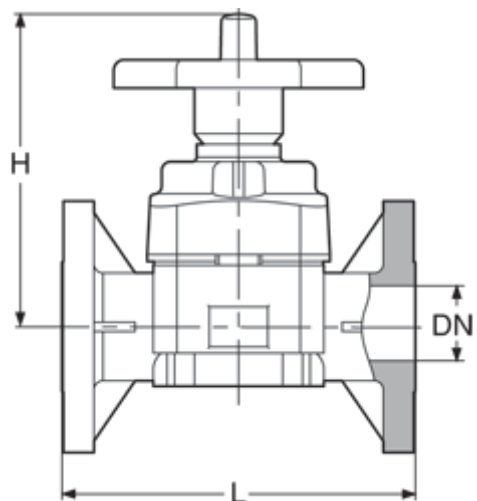
#	d (mm)	DN (mm)	DN (inch)	L (mm)	H (mm)	PN (bar)
1	20	15	1/2"	130	133	10
2	25	20	3/4"	150	133	10
3	32	25	1"	160	133	10
4	40	32	1"1/4	180	167	10
5	50	40	1"1/2	200	167	10
6	63	50	2"	230	205	10

FPM

#	d (mm)	DN (mm)	DN (inch)	L (mm)	H (mm)	PN (bar)
1	20	15	1/2"	130	133	10
2	25	20	3/4"	150	133	10
3	32	25	1"	160	133	10
4	40	32	1"1/4	180	167	10
5	50	40	1"1/2	200	167	10
6	63	50	2"	230	205	10

PTFE

#	d (mm)	DN (mm)	DN (inch)	L (mm)	H (mm)	PN (bar)
1	20	15	1/2"	130	133	10
2	25	20	3/4"	150	133	10
3	32	25	1"	160	133	10
4	40	32	1"1/4	180	167	10
5	50	40	1"1/2	200	167	10
6	63	50	2"	230	205	10



Technické údaje o produktech nejsou závazné. Konstrukční a rozměrové změny vyhrazeny.
Přeloženo z originálu výrobce.

Farprosys, s.r.o.
email: info@farprosys.com
tel. +420 728 757 770
www.atexventilatory.cz