

## PP-H diaphragm valve, with ANSI\* flanges

### Popis

\* DIN = EN1092-1 PN10/16 ANSI = ASME B16.5 Class 150 2300 becomes 2307 when fitted with a double acting pneumatic actuator 2300 becomes 2308 when fitted with failsafe open (NO) pneumatic actuator 2300 becomes 2309 when fitted with failsafe closed (NC) pneumatic actuator

## EPDM

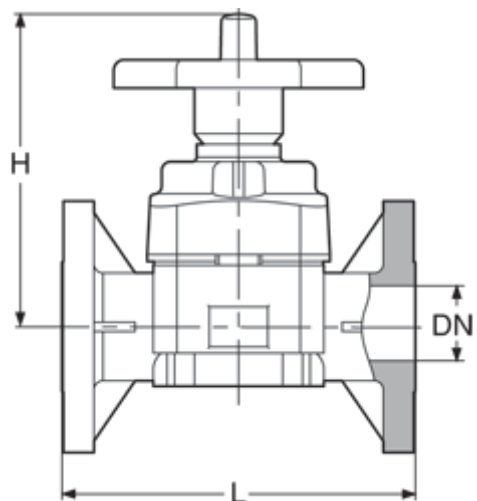
| # | d<br>(mm) | DN<br>(mm) | DN<br>(inch) | L<br>(mm) | H<br>(mm) | PN<br>(bar) |
|---|-----------|------------|--------------|-----------|-----------|-------------|
| 1 | 20        | 15         | 1/2"         | 130       | 133       | 10          |
| 2 | 25        | 20         | 3/4"         | 150       | 133       | 10          |
| 3 | 32        | 25         | 1"           | 160       | 133       | 10          |
| 4 | 40        | 32         | 1"1/4        | 180       | 167       | 10          |
| 5 | 50        | 40         | 1"1/2        | 200       | 167       | 10          |
| 6 | 63        | 50         | 2"           | 230       | 205       | 10          |

## FPM

| # | d<br>(mm) | DN<br>(mm) | DN<br>(inch) | L<br>(mm) | H<br>(mm) | PN<br>(bar) |
|---|-----------|------------|--------------|-----------|-----------|-------------|
| 1 | 20        | 15         | 1/2"         | 130       | 133       | 10          |
| 2 | 25        | 20         | 3/4"         | 150       | 133       | 10          |
| 3 | 32        | 25         | 1"           | 160       | 133       | 10          |
| 4 | 40        | 32         | 1"1/4        | 180       | 167       | 10          |
| 5 | 50        | 40         | 1"1/2        | 200       | 167       | 10          |
| 6 | 63        | 50         | 2"           | 230       | 205       | 10          |

## PTFE

| # | d<br>(mm) | DN<br>(mm) | DN<br>(inch) | L<br>(mm) | H<br>(mm) | PN<br>(bar) |
|---|-----------|------------|--------------|-----------|-----------|-------------|
| 1 | 20        | 15         | 1/2"         | 130       | 133       | 10          |
| 2 | 25        | 20         | 3/4"         | 150       | 133       | 10          |
| 3 | 32        | 25         | 1"           | 160       | 133       | 10          |
| 4 | 40        | 32         | 1"1/4        | 180       | 167       | 10          |
| 5 | 50        | 40         | 1"1/2        | 200       | 167       | 10          |
| 6 | 63        | 50         | 2"           | 230       | 205       | 10          |



---

Technické údaje o produktech nejsou závazné. Konstrukční a rozměrové změny vyhrazeny.  
Přeloženo z originálu výrobce.

Farprosys, s.r.o.  
email: [info@farprosys.com](mailto:info@farprosys.com)  
tel. +420 728 757 770  
[www.atexventilatory.cz](http://www.atexventilatory.cz)