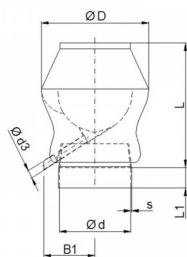


Deflector hoods, socket connection



Popis

-

PVC

#	d	d	L	L1	s PVC	s PP-Basis	B1	d3	kg
1	0700m	1140	1330	80	6,0	-	450	63	69,0
2	0800m	1295	1505	80	6,3	8,0	535	75	80,0
3	0900m	1455	1680	100	7,0	8,0	595	75	102,0
4	1000m	1650	1910	100	8,0	10,0	620	75	127,0
5	1250m	2075	2330	120	10,4	10,0	750	75	159,0
6	1400m	2350	2780	120	10,0	12,0	825	75	178,0

PPs

#	d	d	L	L1	s PVC	s PP-Basis	B1	d3	kg
1	0700m	1140	1330	80	6,0	-	450	63	69,0
2	0800m	1295	1505	80	6,3	8,0	535	75	80,0
3	0900m	1455	1680	100	7,0	8,0	595	75	102,0
4	1000m	1650	1910	100	8,0	10,0	620	75	127,0
5	1250m	2075	2330	120	10,4	10,0	750	75	159,0
6	1400m	2350	2780	120	10,0	12,0	825	75	178,0

PP

#	d	d	L	L1	s PVC	s PP-Basis	B1	d3	kg
1	0700m	1140	1330	80	6,0	-	450	63	69,0
2	0800m	1295	1505	80	6,3	8,0	535	75	80,0
3	0900m	1455	1680	100	7,0	8,0	595	75	102,0
4	1000m	1650	1910	100	8,0	10,0	620	75	127,0
5	1250m	2075	2330	120	10,4	10,0	750	75	159,0
6	1400m	2350	2780	120	10,0	12,0	825	75	178,0

PE

#	d	d	L	L1	s PVC	s PP-Basis	B1	d3	kg
1	0700m	1140	1330	80	6,0	-	450	63	69,0
2	0800m	1295	1505	80	6,3	8,0	535	75	80,0
3	0900m	1455	1680	100	7,0	8,0	595	75	102,0
4	1000m	1650	1910	100	8,0	10,0	620	75	127,0
5	1250m	2075	2330	120	10,4	10,0	750	75	159,0
6	1400m	2350	2780	120	10,0	12,0	825	75	178,0

PPs-el

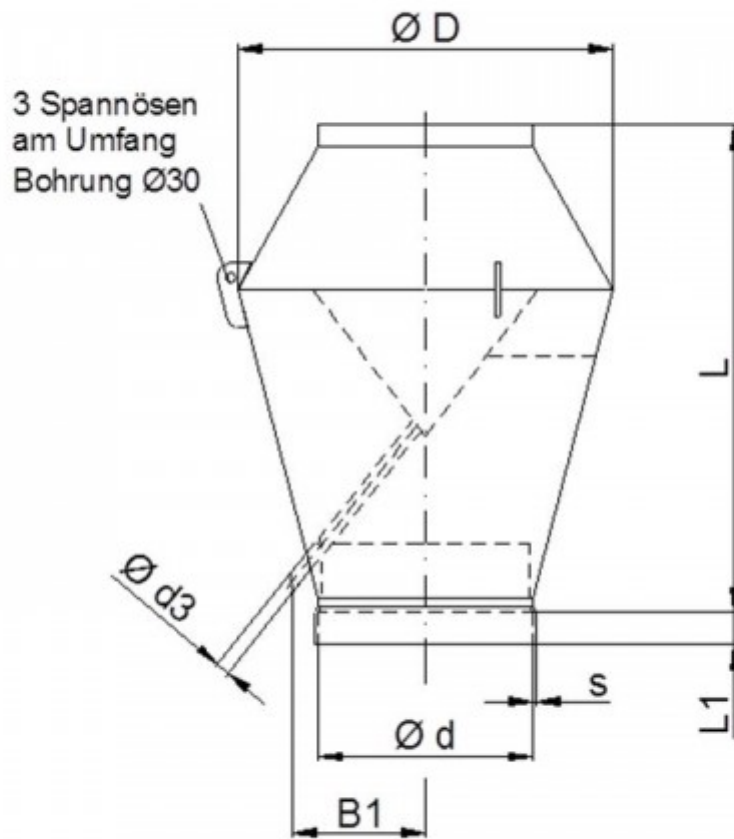
#	d	d	L	L1	s PVC	s PP-Basis	B1	d3	kg
1	0700m	1140	1330	80	6,0	-	450	63	69,0
2	0800m	1295	1505	80	6,3	8,0	535	75	80,0
3	0900m	1455	1680	100	7,0	8,0	595	75	102,0
4	1000m	1650	1910	100	8,0	10,0	620	75	127,0
5	1250m	2075	2330	120	10,4	10,0	750	75	159,0
6	1400m	2350	2780	120	10,0	12,0	825	75	178,0

PVDF

#	d	d	L	L1	s PVC	s PP-Basis	B1	d3	kg
1	0700m	1140	1330	80	6,0	-	450	63	69,0
2	0800m	1295	1505	80	6,3	8,0	535	75	80,0
3	0900m	1455	1680	100	7,0	8,0	595	75	102,0
4	1000m	1650	1910	100	8,0	10,0	620	75	127,0
5	1250m	2075	2330	120	10,4	10,0	750	75	159,0
6	1400m	2350	2780	120	10,0	12,0	825	75	178,0

PVC-UV

#	d	d	L	L1	s PVC	s PP-Basis	B1	d3	kg
1	0700m	1140	1330	80	6,0	-	450	63	69,0
2	0800m	1295	1505	80	6,3	8,0	535	75	80,0
3	0900m	1455	1680	100	7,0	8,0	595	75	102,0
4	1000m	1650	1910	100	8,0	10,0	620	75	127,0
5	1250m	2075	2330	120	10,4	10,0	750	75	159,0
6	1400m	2350	2780	120	10,0	12,0	825	75	178,0



Technické údaje o produktech nejsou závazné. Konstrukční a rozměrové změny vyhrazeny.
Přeloženo z originálu výrobce.

Farprosys, s.r.o.
email: info@farprosys.com
tel. +420 728 757 770
www.atexventilatory.cz