



## Reducers symmetrical from 200/125 to 315/250

### Popis

plug-in system with injected lip-seal

### PVC

| #  | d1 - d2   | L   | L1 | L2 | L3  | s   | kg  |
|----|-----------|-----|----|----|-----|-----|-----|
| 1  | 0200-0125 | 235 | 40 | 40 | 155 | 3,0 | 0,5 |
| 2  | 0200-0160 | 175 | 40 | 40 | 95  | 3,0 | 0,5 |
| 3  | 0250-0075 | 445 | 50 | 35 | 360 | 3,0 | 0,8 |
| 4  | 0250-0090 | 415 | 50 | 35 | 330 | 3,0 | 0,8 |
| 5  | 0250-0110 | 345 | 50 | 40 | 255 | 3,0 | 0,8 |
| 6  | 0250-0125 | 340 | 50 | 40 | 250 | 3,0 | 0,7 |
| 7  | 0250-0160 | 285 | 50 | 40 | 195 | 3,0 | 0,7 |
| 8  | 0250-0200 | 200 | 50 | 40 | 110 | 3,0 | 0,6 |
| 9  | 0315-0110 | 470 | 50 | 40 | 380 | 3,0 | 0,1 |
| 10 | 0315-0125 | 460 | 50 | 40 | 370 | 3,0 | 1,2 |
| 11 | 0315-0160 | 435 | 50 | 40 | 345 | 3,0 | 1,2 |
| 12 | 0315-0200 | 395 | 50 | 40 | 305 | 3,0 | 1,1 |
| 13 | 0315-0250 | 240 | 50 | 50 | 140 | 4,0 | 1,5 |

### PPs

| #  | d1 - d2   | L   | L1 | L2 | L3  | s   | kg  |
|----|-----------|-----|----|----|-----|-----|-----|
| 1  | 0200-0125 | 235 | 40 | 40 | 155 | 3,0 | 0,5 |
| 2  | 0200-0160 | 175 | 40 | 40 | 95  | 3,0 | 0,5 |
| 3  | 0250-0075 | 445 | 50 | 35 | 360 | 3,0 | 0,8 |
| 4  | 0250-0090 | 415 | 50 | 35 | 330 | 3,0 | 0,8 |
| 5  | 0250-0110 | 345 | 50 | 40 | 255 | 3,0 | 0,8 |
| 6  | 0250-0125 | 340 | 50 | 40 | 250 | 3,0 | 0,7 |
| 7  | 0250-0160 | 285 | 50 | 40 | 195 | 3,0 | 0,7 |
| 8  | 0250-0200 | 200 | 50 | 40 | 110 | 3,0 | 0,6 |
| 9  | 0315-0110 | 470 | 50 | 40 | 380 | 3,0 | 0,1 |
| 10 | 0315-0125 | 460 | 50 | 40 | 370 | 3,0 | 1,2 |
| 11 | 0315-0160 | 435 | 50 | 40 | 345 | 3,0 | 1,2 |
| 12 | 0315-0200 | 395 | 50 | 40 | 305 | 3,0 | 1,1 |
| 13 | 0315-0250 | 240 | 50 | 50 | 140 | 4,0 | 1,5 |

## PP

| #  | d1 - d2   | L   | L1 | L2 | L3  | s   | kg  |
|----|-----------|-----|----|----|-----|-----|-----|
| 1  | 0200-0125 | 235 | 40 | 40 | 155 | 3,0 | 0,5 |
| 2  | 0200-0160 | 175 | 40 | 40 | 95  | 3,0 | 0,5 |
| 3  | 0250-0075 | 445 | 50 | 35 | 360 | 3,0 | 0,8 |
| 4  | 0250-0090 | 415 | 50 | 35 | 330 | 3,0 | 0,8 |
| 5  | 0250-0110 | 345 | 50 | 40 | 255 | 3,0 | 0,8 |
| 6  | 0250-0125 | 340 | 50 | 40 | 250 | 3,0 | 0,7 |
| 7  | 0250-0160 | 285 | 50 | 40 | 195 | 3,0 | 0,7 |
| 8  | 0250-0200 | 200 | 50 | 40 | 110 | 3,0 | 0,6 |
| 9  | 0315-0110 | 470 | 50 | 40 | 380 | 3,0 | 0,1 |
| 10 | 0315-0125 | 460 | 50 | 40 | 370 | 3,0 | 1,2 |
| 11 | 0315-0160 | 435 | 50 | 40 | 345 | 3,0 | 1,2 |
| 12 | 0315-0200 | 395 | 50 | 40 | 305 | 3,0 | 1,1 |
| 13 | 0315-0250 | 240 | 50 | 50 | 140 | 4,0 | 1,5 |

## PE

| #  | d1 - d2   | L   | L1 | L2 | L3  | s   | kg  |
|----|-----------|-----|----|----|-----|-----|-----|
| 1  | 0200-0125 | 235 | 40 | 40 | 155 | 3,0 | 0,5 |
| 2  | 0200-0160 | 175 | 40 | 40 | 95  | 3,0 | 0,5 |
| 3  | 0250-0075 | 445 | 50 | 35 | 360 | 3,0 | 0,8 |
| 4  | 0250-0090 | 415 | 50 | 35 | 330 | 3,0 | 0,8 |
| 5  | 0250-0110 | 345 | 50 | 40 | 255 | 3,0 | 0,8 |
| 6  | 0250-0125 | 340 | 50 | 40 | 250 | 3,0 | 0,7 |
| 7  | 0250-0160 | 285 | 50 | 40 | 195 | 3,0 | 0,7 |
| 8  | 0250-0200 | 200 | 50 | 40 | 110 | 3,0 | 0,6 |
| 9  | 0315-0110 | 470 | 50 | 40 | 380 | 3,0 | 0,1 |
| 10 | 0315-0125 | 460 | 50 | 40 | 370 | 3,0 | 1,2 |
| 11 | 0315-0160 | 435 | 50 | 40 | 345 | 3,0 | 1,2 |
| 12 | 0315-0200 | 395 | 50 | 40 | 305 | 3,0 | 1,1 |
| 13 | 0315-0250 | 240 | 50 | 50 | 140 | 4,0 | 1,5 |

## PPs-el

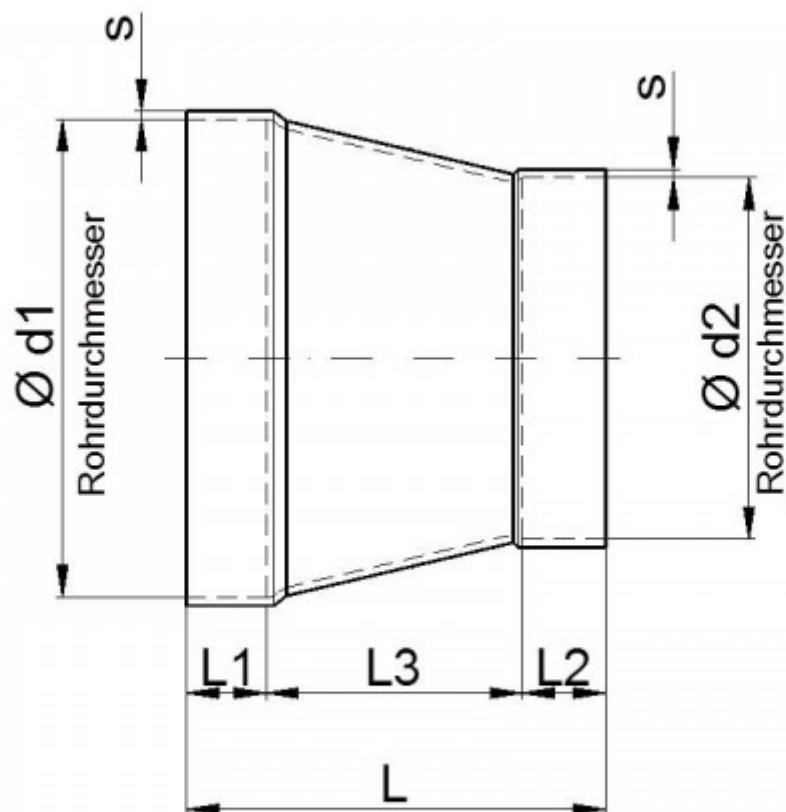
| #  | d1 - d2   | L   | L1 | L2 | L3  | s   | kg  |
|----|-----------|-----|----|----|-----|-----|-----|
| 1  | 0200-0125 | 235 | 40 | 40 | 155 | 3,0 | 0,5 |
| 2  | 0200-0160 | 175 | 40 | 40 | 95  | 3,0 | 0,5 |
| 3  | 0250-0075 | 445 | 50 | 35 | 360 | 3,0 | 0,8 |
| 4  | 0250-0090 | 415 | 50 | 35 | 330 | 3,0 | 0,8 |
| 5  | 0250-0110 | 345 | 50 | 40 | 255 | 3,0 | 0,8 |
| 6  | 0250-0125 | 340 | 50 | 40 | 250 | 3,0 | 0,7 |
| 7  | 0250-0160 | 285 | 50 | 40 | 195 | 3,0 | 0,7 |
| 8  | 0250-0200 | 200 | 50 | 40 | 110 | 3,0 | 0,6 |
| 9  | 0315-0110 | 470 | 50 | 40 | 380 | 3,0 | 0,1 |
| 10 | 0315-0125 | 460 | 50 | 40 | 370 | 3,0 | 1,2 |
| 11 | 0315-0160 | 435 | 50 | 40 | 345 | 3,0 | 1,2 |
| 12 | 0315-0200 | 395 | 50 | 40 | 305 | 3,0 | 1,1 |
| 13 | 0315-0250 | 240 | 50 | 50 | 140 | 4,0 | 1,5 |

## PVDF

| #  | d1 - d2   | L   | L1 | L2 | L3  | s   | kg  |
|----|-----------|-----|----|----|-----|-----|-----|
| 1  | 0200-0125 | 235 | 40 | 40 | 155 | 3,0 | 0,5 |
| 2  | 0200-0160 | 175 | 40 | 40 | 95  | 3,0 | 0,5 |
| 3  | 0250-0075 | 445 | 50 | 35 | 360 | 3,0 | 0,8 |
| 4  | 0250-0090 | 415 | 50 | 35 | 330 | 3,0 | 0,8 |
| 5  | 0250-0110 | 345 | 50 | 40 | 255 | 3,0 | 0,8 |
| 6  | 0250-0125 | 340 | 50 | 40 | 250 | 3,0 | 0,7 |
| 7  | 0250-0160 | 285 | 50 | 40 | 195 | 3,0 | 0,7 |
| 8  | 0250-0200 | 200 | 50 | 40 | 110 | 3,0 | 0,6 |
| 9  | 0315-0110 | 470 | 50 | 40 | 380 | 3,0 | 0,1 |
| 10 | 0315-0125 | 460 | 50 | 40 | 370 | 3,0 | 1,2 |
| 11 | 0315-0160 | 435 | 50 | 40 | 345 | 3,0 | 1,2 |
| 12 | 0315-0200 | 395 | 50 | 40 | 305 | 3,0 | 1,1 |
| 13 | 0315-0250 | 240 | 50 | 50 | 140 | 4,0 | 1,5 |

## PVC-UV

| #  | d1 - d2   | L   | L1 | L2 | L3  | s   | kg  |
|----|-----------|-----|----|----|-----|-----|-----|
| 1  | 0200-0125 | 235 | 40 | 40 | 155 | 3,0 | 0,5 |
| 2  | 0200-0160 | 175 | 40 | 40 | 95  | 3,0 | 0,5 |
| 3  | 0250-0075 | 445 | 50 | 35 | 360 | 3,0 | 0,8 |
| 4  | 0250-0090 | 415 | 50 | 35 | 330 | 3,0 | 0,8 |
| 5  | 0250-0110 | 345 | 50 | 40 | 255 | 3,0 | 0,8 |
| 6  | 0250-0125 | 340 | 50 | 40 | 250 | 3,0 | 0,7 |
| 7  | 0250-0160 | 285 | 50 | 40 | 195 | 3,0 | 0,7 |
| 8  | 0250-0200 | 200 | 50 | 40 | 110 | 3,0 | 0,6 |
| 9  | 0315-0110 | 470 | 50 | 40 | 380 | 3,0 | 0,1 |
| 10 | 0315-0125 | 460 | 50 | 40 | 370 | 3,0 | 1,2 |
| 11 | 0315-0160 | 435 | 50 | 40 | 345 | 3,0 | 1,2 |
| 12 | 0315-0200 | 395 | 50 | 40 | 305 | 3,0 | 1,1 |
| 13 | 0315-0250 | 240 | 50 | 50 | 140 | 4,0 | 1,5 |



---

Technické údaje o produktech nejsou závazné. Konstrukční a rozměrové změny vyhrazeny.  
Přeloženo z originálu výrobce.

Farprosys, s.r.o.  
email: [info@farprosys.com](mailto:info@farprosys.com)  
tel. +420 728 757 770  
[www.atexventilatory.cz](http://www.atexventilatory.cz)