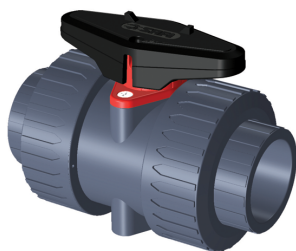


PVC-U ball valve, 2-way, double union, PVC-U BSP threaded sockets



Popis

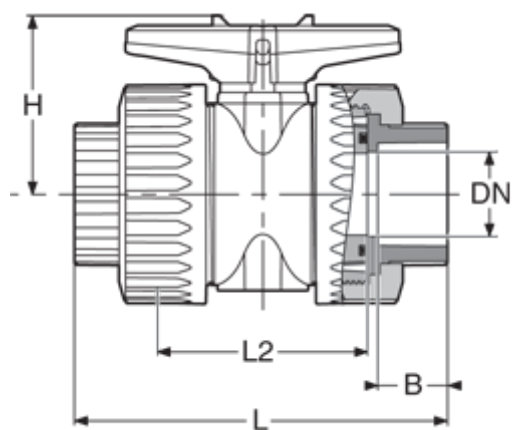
Other end connections : see "Fittings" section DN15 to DN50 : standard locking

EPDM

#	d (mm)	DN (mm)	DN (inch)	L (mm)	L2 (mm)	H (mm)	B (mm)	PN (bar)
1	15	10	3/8"	115	64	48	22.5	10
2	20	15	1/2"	115	64	51	22.5	10
3	25	20	3/4"	127	64	62	25.5	10
4	32	25	1"	145	69	69	29	10
5	40	32	1"1/4	183	76.5	85	35	10
6	50	40	1"1/2	183	93	85	36	10
7	63	50	2"	203	114	98	38	10
8	75	65	2"1/2	230	116.5	142	45	10
9	90	80	3"	272	149	165	48.5	10
10	110	100	4"	327	175	170	53.5	10

FPM

#	d (mm)	DN (mm)	DN (inch)	L (mm)	L2 (mm)	H (mm)	B (mm)	PN (bar)
1	15	10	3/8"	115	64	48	22.5	10
2	20	15	1/2"	115	64	51	22.5	10
3	25	20	3/4"	127	64	62	25.5	10
4	32	25	1"	145	69	69	29	10
5	40	32	1"1/4	183	76.5	85	35	10
6	50	40	1"1/2	183	93	85	36	10
7	63	50	2"	203	114	98	38	10
8	75	65	2"1/2	230	116.5	142	45	10
9	90	80	3"	272	149	165	48.5	10
10	110	100	4"	327	175	170	53.5	10



Technické údaje o produktech nejsou závazné. Konstrukční a rozměrové změny vyhrazeny.
Přeloženo z originálu výrobce.

Farprosys, s.r.o.
email: info@farprosys.com
tel. +420 728 757 770
www.atexventilatory.cz