



Ventilation damper, PP-H body, PP-H butterfly, ANSI* flanges, with handwheel and reduction gearbox

Popis

* DIN = EN1092-1 PN10 ANSI = ASME B16.5 Class 150 (DN<=600) puis AWWA C207 (DN>700) Valve with free shaft : 5150 becomes 5151, 5154 becomes 5155
Our dampers with relative airtightness comply with requirement of Class C-2 of EN 1751. See our product sheet for more details

Plastic/plastic

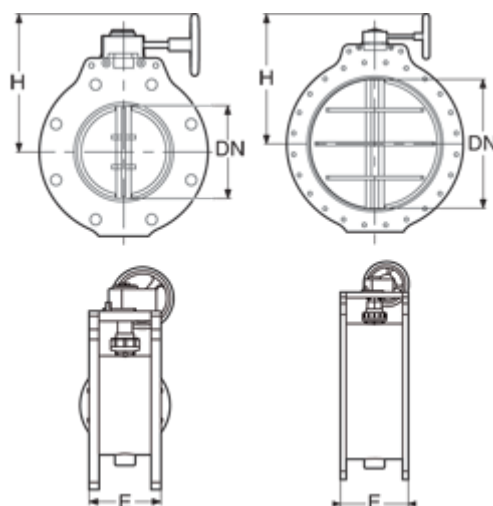
#	DN (mm)	DN (inch)	H (mm)	E (mm)
1	150	6"	244	145
2	200	8"	279	145
3	250	10"	309	150
4	300	12"	349	150
5	350	14"	379	150
6	400	16"	419	175
7	450	18"	449	175
8	500	20"	459	300
9	600	24"	529	300
10	700	28"	589	300
11	800	32"	639	300
12	900	36"	689	300
13	1000	40"	759	300
14	1100	44"	809	300
15	1200	48"	869	300
16	1300	52"	929	300
17	1400	56"	1010	300
18	1500	60"	1060	400
19	1600	64"	1110	400
20	1700	68"	1160	400
21	1800	72"	1210	400

Relative

#	DN (mm)	DN (inch)	H (mm)	E (mm)
1	150	6"	244	145
2	200	8"	279	145
3	250	10"	309	150
4	300	12"	349	150
5	350	14"	379	150
6	400	16"	419	175
7	450	18"	449	175
8	500	20"	459	300
9	600	24"	529	300
10	700	28"	589	300
11	800	32"	639	300
12	900	36"	689	300
13	1000	40"	759	300
14	1100	44"	809	300
15	1200	48"	869	300
16	1300	52"	929	300
17	1400	56"	1010	300
18	1500	60"	1060	400
19	1600	64"	1110	400
20	1700	68"	1160	400
21	1800	72"	1210	400

Relative

#	DN (mm)	DN (inch)	H (mm)	E (mm)
1	150	6"	244	145
2	200	8"	279	145
3	250	10"	309	150
4	300	12"	349	150
5	350	14"	379	150
6	400	16"	419	175
7	450	18"	449	175
8	500	20"	459	300
9	600	24"	529	300
10	700	28"	589	300
11	800	32"	639	300
12	900	36"	689	300
13	1000	40"	759	300
14	1100	44"	809	300
15	1200	48"	869	300
16	1300	52"	929	300
17	1400	56"	1010	300
18	1500	60"	1060	400
19	1600	64"	1110	400
20	1700	68"	1160	400
21	1800	72"	1210	400



Technické údaje o produktech nejsou závazné. Konstrukční a rozměrové změny vyhrazeny.
Přeloženo z originálu výrobce.

Farprosys, s.r.o.
email: info@farprosys.com
tel. +420 728 757 770
www.atexventilatory.cz